

Excellent Team 2

CARO Fall VT T24-002

October 1-14/24

30 x 30/ Indoor or Outdoor

Max Course Time: 3 minutes

TEAM 1

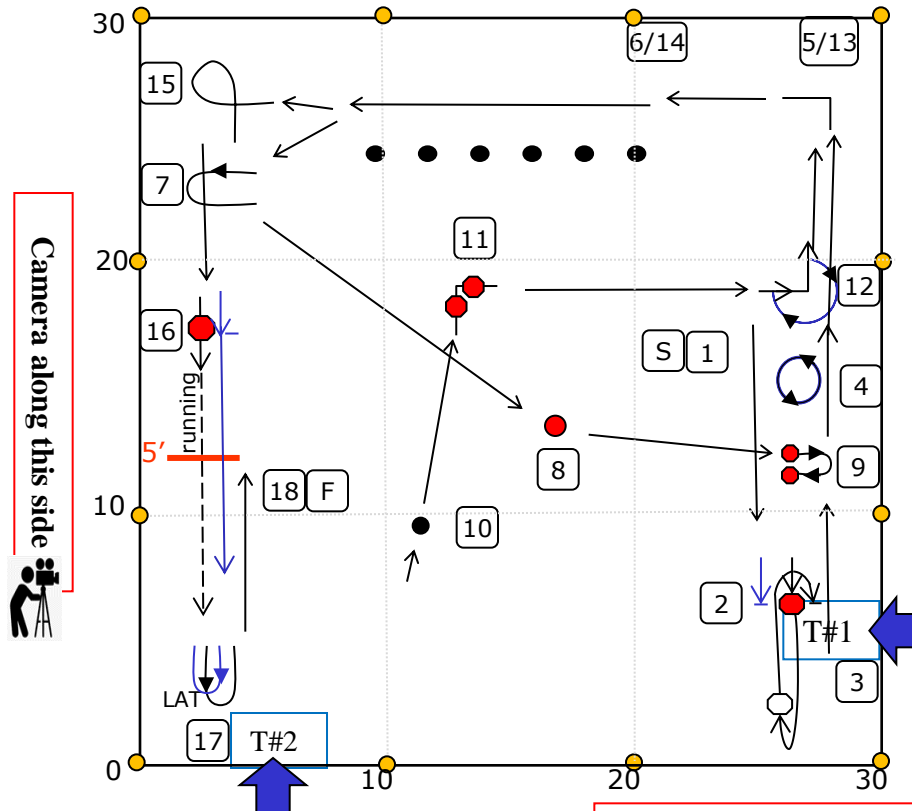
1. Start
2. **Halt** – Stand – Leave (306)
3. Sit Dog – Call to Heel – Forward (309)
4. Dog Circles Left (202)
5. Left Turn (111)
6. Weave Poles (314)
7. 180 Left (113)
8. **Halt** – Stand – Sit (301)
9. **Halt** – 180 Degree Pivot Right – Halt (208)
10. Moving Stand Walk Around (302)
11. **Halt** – 90 Degree Pivot Right – Halt (107)
12. Left Turn - Dog Circles Right (206)
13. Left Turn (111)
14. Weave Poles (314)
15. 270 Right (114)
16. **Halt** – Leave Dog – Run – Call to Heel (201)
17. Left About Turn (207)
18. **Finish**

TEAM 2

10. Moving Stand Walk Around (302)
11. **Halt** – 90 Degree Pivot Right – Halt (107)
12. Left Turn - Dog Circles Right (206)
13. Left Turn (111)
14. Weave Poles (314)
15. 270 Right (114)
16. **Halt** – Leave Dog – Run – Call to Heel (201)
17. Left About Turn (207)
18. **Finish**



Good Luck but most of all HAVE FUN!!



PRO TIP!
This Excellent Team 2 course is nested with the Excellent Team 1 course! That means both rounds have a similar layout and the obstacle is in the same location!

Stn 16-Don't forget your 5' line & make sure it can be clearly seen in your video (cones may be used)

Designed by Judge *Kimberly Masiak*